

## Teflon Lined Glass Tube Flowmeters FKT series

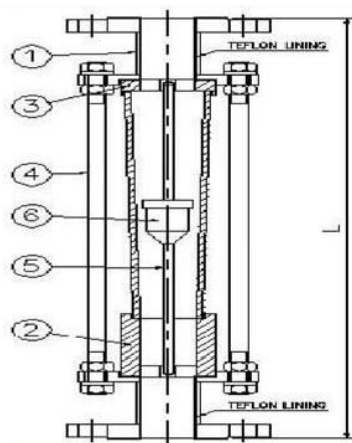


FKT-1-B



FKT-1  
(All Teflon)

Meter Size (mm)	Dimension (mm)
	L
10	320
15	350
20	350
25	390
32	410
40	430
50	450
65	540
80	745
100	775



1. Body;
2. Bottom Packing;
3. Top Packing;
4. Support Bar;
5. Guide Road;
6. Float;

### Flow Rates Table:

Meter Size (mm)	Full Scale		
	Water (L/h)	Air (Nm <sup>3</sup> /h)	
	PVC. Teflon Lined Float	PVC Float	Teflon Float
10	Min. 35 Max. 70	Min. 0.5 Max. 1.4	Min. 0.15 Max. 1.75
15	Max. 600	Max. 5.17	Max. 6.5
20	Max. 1.500	Max. 22	Max. 22
25	Max. 3.000	Max. 37	Max. 37
32	Max. 4.500	Max. 50	Max. 50
40	Max. 7.000	Max. 96	Max. 96
50	Max. 10.000	Max. 200	Max. 200
65	Max. 20.000	Max. 280	Max. 280
80	Max. 30.000	Max. 430	Max. 430
100	Max. 40.000	Max. 1.000	Max. 1.000

### Features:

- Measuring Fluid : acid, Corrosive Liquid & Gas
- Size : 10mm ~ 100mm
- Connection : JIS10K Flange, ANSI, DIN, etc.
- Flow Direction : Bottom to Top
- Max Temp : 150°C