

Panel-Mounting Flowmeters FKV series



FKVS-B



FKVS-GV



FKVF -B



FKVS-B -R1

FKV series that is made by various specifications can satisfy on customer's needs that are superior for accuracy, stability, safety.

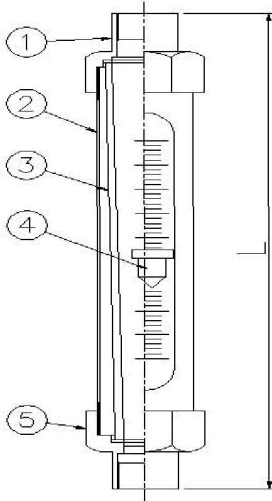
Model Code:

FKV	Code.	Description.
Connection	S	Screw
	F	Flange
Material	B	SUS304
	C	SUS316
	P	P.V.C
	T	PTFE
Size	8	PT(1/4") Fe (Application on B.C.P.T TYPE)
	10/15	PT 3/8" or 1/2" Fe
	20	PT 3/4" Fe
	25	PT 1" Fe
	40	PT 1-1/2" Fe
	50/65	PT 2" Fe
Option	R1	ISPDT Alarm (Reed S/W)
	GV	Valve (32A Gate Valve, 25A Needle Valve)

FLOKAL B.V.

Dorpenweg 27 5371 KS Deursen. The Netherlands.
Tel +(31).486.41.6240 Fax +(31).486.41.4514, www.flokal.eu email info@flokal.eu

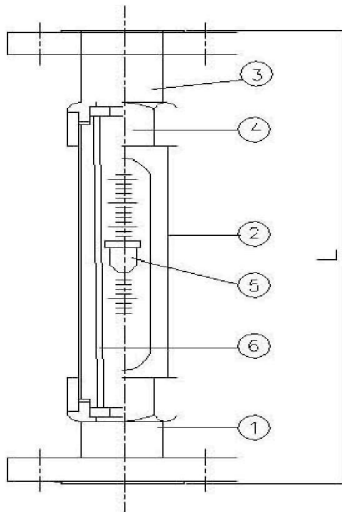
Structure & Dimensions:



FKVS-B-

NO	Title.	Material
1	Body	SS304, SS316, PVC, PTFE
2	Cover	AL, SS304
3	Glass	Pyrex
4	Float	SS304, SS316, AL, Acetal
5	Union Cap	SS304, AL

Size	L(mm)	Valve L(mm)
10A	230	(70) 300
15A	280	(75) 355
20A	320	(80) 400
25A	380	(85) 465
40A	420	-
50A	450	-



FKVF-B-

NO	Title.	Material
1	Bottom Body	SS304, SS316, PVC, PTFE
2	Cover	AL, SS304
3	Top Body	SS304, SS316, PVC, PTFE
4	Union Cap	SS304, AL
5	Float	SS304, SS316, AL, Acetal
6	Tube	Pyrex

Size	L(mm)
10A	280
15A	300
20A	340
25A	380
40A	420
50A	450

FLOKAL B.V.

Dorpenweg 27 5371 KS Deursen. The Netherlands.

Tel +(31).486.41.6240 Fax +(31).486.41.4514, www.flokal.eu email info@flokal.eu